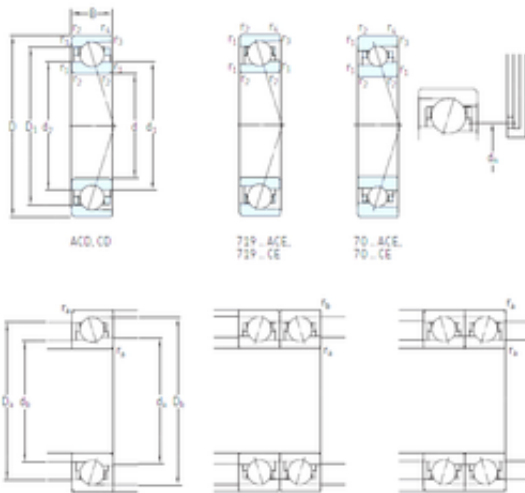




NTN Machinery Manufacturing Co., Ltd



15 mm x 28 mm x 7 mm SKF 71902 CD/P4A angular contact ball bearings

Bearing No. 71902 CD/P4A

71902 CD/P4A Bearing 2D drawings and 3D CAD models

Size	15x28x7 mm
Bore Diameter	15 mm
Outer Diameter	28 mm
Width	7 mm
d	15 mm
D	28 mm
B	7 mm
C	7 mm
d1	19,1 mm
d2	19,1 mm
r1 min.	0,3 mm
r2 min.	0,3 mm
r3 min.	0,2 mm
r4 min.	0,2 mm
D1	23,7 mm
D2	25,8 mm
da min.	17 mm
Da max.	26 mm
db min	17 mm
ra max.	0,3 mm
rb max.	0,2 mm
dh	20,1 mm
Db max	26,6 mm
Weight	0,015 Kg
Basic dynamic load rating (C)	3,97 kN



NTN Machinery Manufacturing Co., Ltd

Basic static load rating (C0)	1,9 kN
(Grease) Lubrication Speed	56 000 r/min
(Oil) Lubrication Speed	85 000 r/min
Fatigue load limit (Pu)	0,08
Category	Precision Ball Bearings
Inventory	0.0
Manufacturer Name	SKF
Minimum Buy Quantity	N/A
Weight / Kilogram	0
EAN	7316570438932
Product Group	B04270
Enclosure	Open
Precision Class	ABEC 7 ISO P4
Material - Ball	Steel
Number of Bearings	1 (Single)
Contact Angle	15 Degree
Preload	None
Raceway Style	1 Rib Outer Ring
Cage Material	Phenolic
Rolling Element	Ball Bearing
Flush Ground	No
Inch - Metric	Metric
Other Features	Single Row Angular Contact High Capacity Basic Design
Long Description	15MM Bore; 28MM Outside Diameter; 7MM Width; Open Enclosure; ABEC 7 ISO P4 Precision; Steel Ball Material; 1 (Single) Bearing; 15 Degree Contact Angle; Phenolic Cage Material; 1 Rib Outer Ring Racew
Category	Precision Ball Bearings



NTN Machinery Manufacturing Co., Ltd

UNSPSC	31171531
Harmonized Tariff Code	8482.10.50.28
Noun	Bearing
Keyword String	Ball Angular Contact
Manufacturer URL	http://www.skf.com
Manufacturer Item Number	71902 CD/P4A
Weight / LBS	0.048
Bore	0.591 Inch 15 Millimeter
Outside Diameter	1.102 Inch 28 Millimeter
Width	0.276 Inch 7 Millimeter
d_1	18.9 mm
d_2	18.9 mm
D_1	23.7 mm
$r_{1,2}$ min.	0.3 mm
$r_{3,4}$ min.	0.2 mm
a	6.4 mm
d_a min.	17 mm
d_b min.	17 mm
D_a max.	26 mm
D_b max.	26.6 mm
r_a max.	0.3 mm
r_b max.	0.2 mm
d_n	20.1 mm
Basic dynamic load rating C	3.97 kN
Basic static load rating C_0	1.9 kN
Fatigue load limit P_u	0.08 kN
Attainable speed for grease lubrication	56000 r/min
Attainable speed for oil-air lubrication	85000 r/min
Ball diameter D_w	3.969 mm
Number of balls z	13
Reference grease quantity	0.21 cm ³



NTN Machinery Manufacturing Co., Ltd

G_{ref}	
Preload class A G_A	15 N
Static axial stiffness, preload class A	16 N/ μ m
Preload class B G_B	30 N
Static axial stiffness, preload class B	21 N/ μ m
Preload class C G_C	60 N
Static axial stiffness, preload class C	29 N/ μ m
Preload class D G_D	120 N
Static axial stiffness, preload class D	41 N/ μ m
Calculation factor f	1.05
Calculation factor f_1	1
Calculation factor f_{2A}	1
Calculation factor f_{2B}	1.04
Calculation factor f_{2C}	1.09
Calculation factor f_{2D}	1.15
Calculation factor f_{HC}	1
Calculation factor f_0	9.6
Mass bearing	0.015 kg