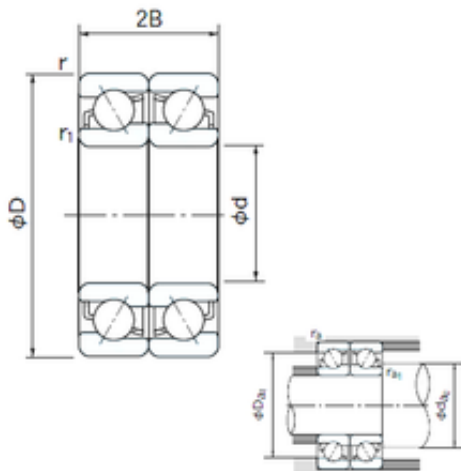




# NTN Machinery Manufacturing Co., Ltd



## 75 mm x 130 mm x 25 mm NACHI 7215CDF angular contact ball bearings

Bearing No. 7215CDF

7215CDF Bearing 2D drawings and 3D CAD models

Size	75x130x25 mm
Bore Diameter	75 mm
Outer Diameter	130 mm
Width	25 mm
d	75 mm
D	130 mm
B	25 mm
C	25 mm
Angle ( ° )	15 °
a -	0.7 mm
r min.	1.5 mm
r1 min.	1 mm
2B	50 mm
da min.	84 mm
Da max.	124.6 mm
ra max.	1 mm
Weight	1.23 Kg
Basic dynamic load rating (C)	135 kN
Basic static load rating (C0)	141 kN
(Grease) Lubrication Speed	6200 r/min
Bore Type	Cylindrical Bore
Enclosure	Open
Configuration	Duplex
Bore Size	75 mm
Outside Diameter	130 mm



## NTN Machinery Manufacturing Co., Ltd

Width	25 mm
Fillet Radius/Chamfer	1.5 mm
r1	1 mm
Dynamic Load Rating	135,000 N
Static Load Rating	141,000 N
Limiting Speed - Grease	6,200 rpm
Limiting Speed - Oil	8,800 rpm
da1 (min)	84 mm
da2 (min)	84 mm
Da1 (max)	121 mm
Da2 (max)	124.6 mm
ra (max)	1.5 mm
ra1 (max)	1 mm