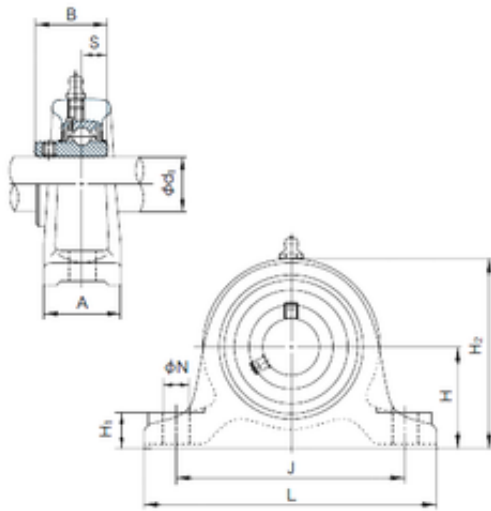




# NTN Machinery Manufacturing Co., Ltd



## NACHI UCIP314 bearing units

Bearing No. UCIP314

Bore Diameter	70 mm
Width	78 mm
d	70 mm
A	75 mm
B	78 mm
H	110 mm
H1	35 mm
H2	215 mm
J	270 mm
L	330 mm
N	25 mm
S	33 mm
Bolt (G)	M22

UCIP314 Bearing 2D drawings and 3D CAD models