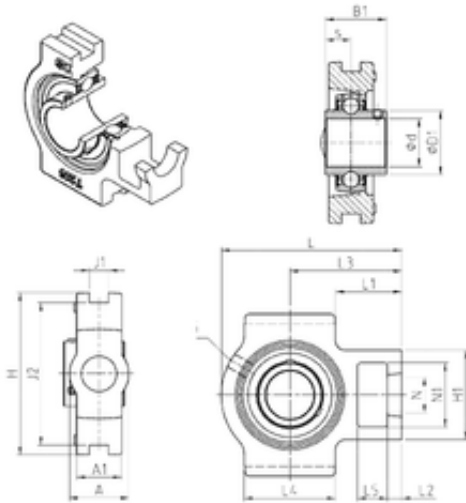




# NTN Machinery Manufacturing Co., Ltd



## SNR UCT206 bearing units

Bearing No. UCT206

Bore Diameter	30 mm
d	30 mm
L4	57 mm
L5	16 mm
L2	10 mm
L3	70 mm
s	15,9 mm
A	37 mm
A1	28 mm
B1	38,1 mm
D1	40,3 mm
H	102 mm
H1	56 mm
L	113 mm
L1	41,5 mm
N	22 mm
N1	37 mm
Thread (G)	M6x1
J1	12 mm
J2	89 mm
Weight	1,2 Kg
Basic dynamic load rating (C)	19,5 kN
A2	28 mm
B	38.1 mm
A5	22.2 mm
G	M6x1

UCT206 Bearing 2D drawings and 3D CAD models



## NTN Machinery Manufacturing Co., Ltd

H2	56 mm
N2	37 mm
s1	19.05 mm
S	15.9 mm
SW	3 mm
C	19.5 kN
C0	11.2 kN
T min.	-20 ° C
T max.	100 ° C
Recommended tightening torque for set screw	5.5 Nm
Designation of housing	T206-
Designation of bearing	UC206G2