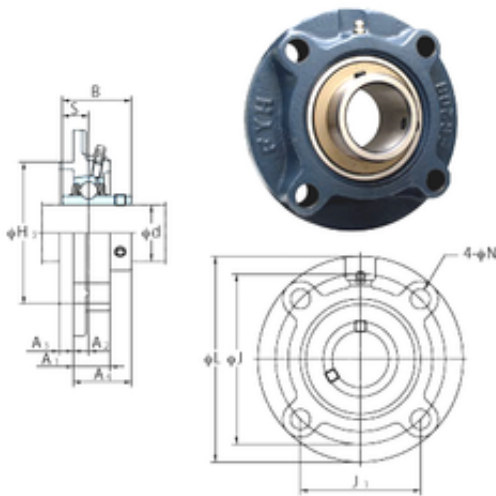




# NTN Machinery Manufacturing Co., Ltd

## FYH UCFC212-36 bearing units

Bearing No. UCFC212-36



UCFC212-36 Bearing 2D drawings and 3D CAD models

Bore Diameter	57,15 mm
d	57,15 mm
H3	135 mm
A4	56,7 mm
A1	36 mm
B	65,1 mm
J	160 mm
L	195 mm
N	19 mm
S	25,4 mm
Bolt (G)	M16
A2	17 mm
A3	12 mm
J1	113,1 mm
Weight	5 Kg
Basic dynamic load rating (C)	52,4 kN
Basic static load rating (C0)	36,2 kN