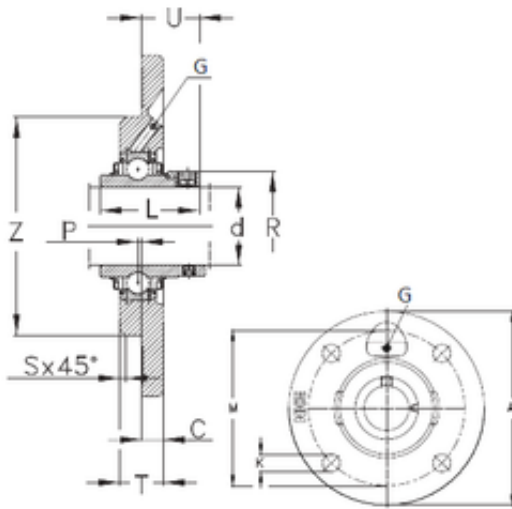




NTN Machinery Manufacturing Co., Ltd



NKE RME25-N bearing units

Bearing No. RME25-N

Bore Diameter	25 mm
d	25 mm
P	2,5 mm
U	24,4 mm
K	9 mm
Z	70 mm
A	115 mm
C	9 mm
L	44,4 mm
M	90 mm
R	37,5 mm
S	2 mm
T	19 mm
Thread (G)	M6

RME25-N Bearing 2D drawings and 3D CAD models