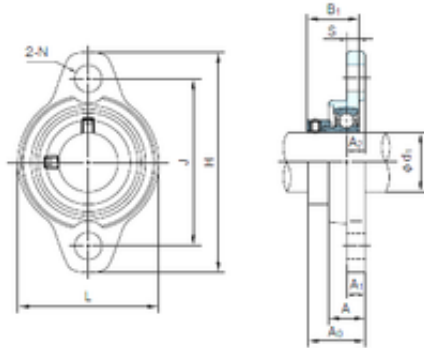




NTN Machinery Manufacturing Co., Ltd

NACHI MUFL006 bearing units



Bearing No. MUFL006

Bore Diameter	30 mm
d	30 mm
A0	29 mm
A	18 mm
A1	9 mm
B1	26.5 mm
H	112 mm
J	85 mm
L	70 mm
N	13 mm
S	6.5 mm
Bolt (G)	M10
A2	9 mm

MUFL006 Bearing 2D drawings and 3D CAD models