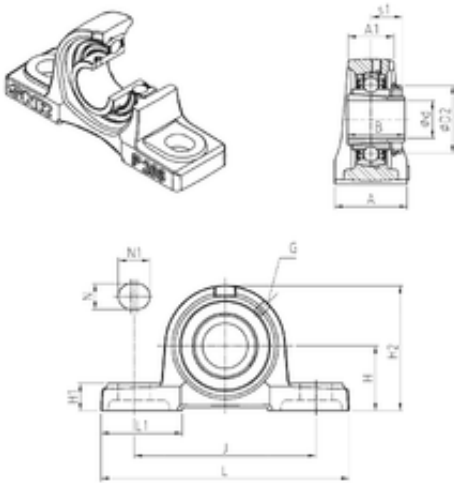




NTN Machinery Manufacturing Co., Ltd



SNR UKP207H bearing units

Bearing No. UKP207H

Bore Diameter	30 mm
d	30 mm
s1	22,5 mm
A	48 mm
A1	31 mm
B	43 mm
D2	52 mm
H	47,6 mm
H1	19 mm
H2	94 mm
J	127 mm
L	167 mm
L1	54 mm
N	17 mm
N1	21 mm
Thread (G)	M6x1
Weight	1,8 Kg
Basic dynamic load rating (C)	25,7 kN

UKP207H Bearing 2D drawings and 3D CAD models