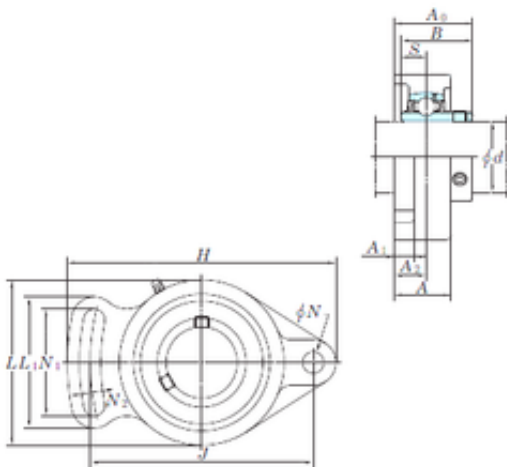




NTN Machinery Manufacturing Co., Ltd

KOYO UCFA211-34 bearing units

Bearing No. UCFA211-34



UCFA211-34 Bearing 2D drawings and 3D CAD models

Bore Diameter	53,975 mm
d	53,975 mm
A0	59,1 mm
A	44 mm
A1	20 mm
B	55,6 mm
H	216 mm
J	184 mm
L	133 mm
L1	102 mm
N	16 mm
N1	86 mm
S	22,2 mm
Bolt (G)	M14
A2	25,7 mm
N2	16 mm
Weight	3,6 Kg
Basic dynamic load rating (C)	43,4 kN
Basic static load rating (C0)	29,4 kN