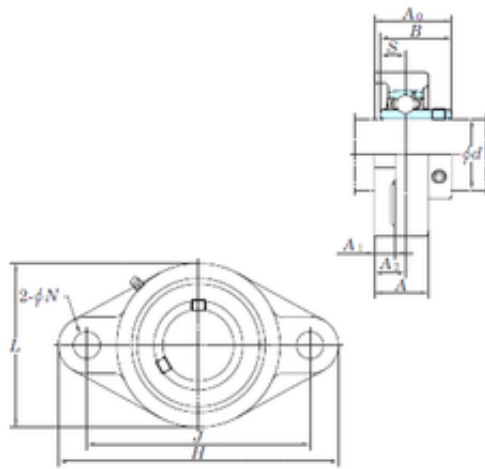




NTN Machinery Manufacturing Co., Ltd



KOYO UCFLX05 bearing units

Bearing No. UCFLX05

Bore Diameter	25 mm
d	25 mm
A0	40,2 mm
A	30 mm
A1	13 mm
B	38,1 mm
H	141 mm
J	117 mm
L	83 mm
N	12 mm
S	15,9 mm
A2	18 mm
Weight	1,1 Kg
Basic static load rating (C0)	19,5 kN

UCFLX05 Bearing 2D drawings and 3D CAD models