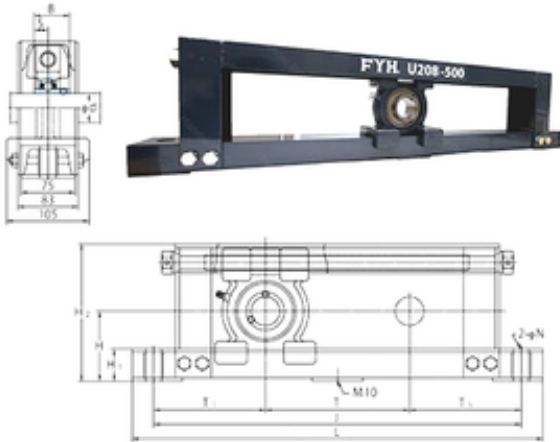




NTN Machinery Manufacturing Co., Ltd

FYH UCTU211-900 bearing units

Bearing No. UCTU211-900



UCTU211-900 Bearing 2D drawings and 3D CAD models

Bore Diameter	55 mm
Width	55,6 mm
d	55 mm
T1	175 mm
B	55,6 mm
H	115 mm
H1	44 mm
H2	230 mm
J	1250 mm
L	1310 mm
N	22 mm
S	22,2 mm
T	900 mm
Bolt (G)	M18
Weight	32 Kg
Basic dynamic load rating (C)	43,4 kN
Basic static load rating (C0)	29,4 kN