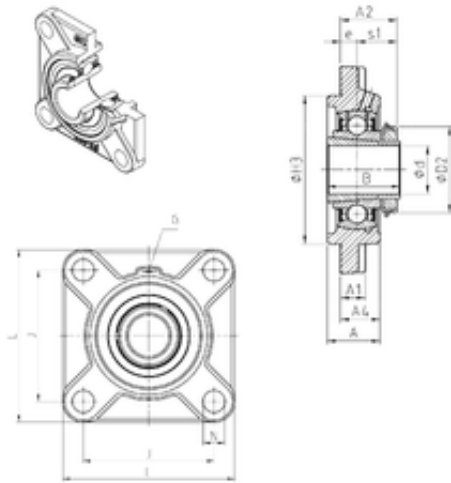




NTN Machinery Manufacturing Co., Ltd



SNR UKFS309H bearing units

Bearing No. UKFS309H

Bore Diameter	40 mm
d	40 mm
H3	125 mm
A4	33 mm
e	14 mm
s1	30 mm
A	44 mm
A1	18 mm
B	50 mm
D2	65 mm
J	125 mm
L	160 mm
N	19 mm
Thread (G)	M6x1
A2	44 mm
Weight	4 Kg
Basic dynamic load rating (C)	53 kN

UKFS309H Bearing 2D drawings and 3D CAD models