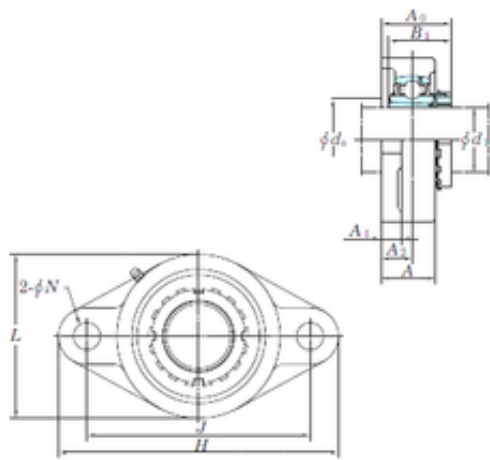




NTN Machinery Manufacturing Co., Ltd



KOYO UKFL211 bearing units

Bearing No. UKFL211

Bore Diameter	50,8 mm
d	50,8 mm
A0	52,5 mm
d3	64 mm
A	43 mm
A1	18 mm
B1	45 mm
H	224 mm
J	184 mm
L	130 mm
N	19 mm
Bolt (G)	M16
A2	25 mm
Weight	3,3 Kg
Basic dynamic load rating (C)	43,4 kN
Basic static load rating (C0)	29,4 kN

UKFL211 Bearing 2D drawings and 3D CAD models