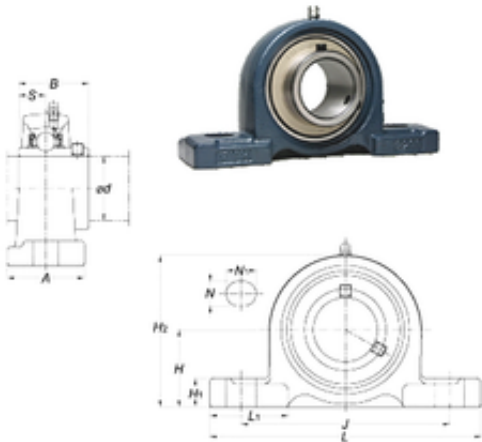




NTN Machinery Manufacturing Co., Ltd

FYH UCP320 bearing units

Bearing No. UCP320



UCP320 Bearing 2D drawings and 3D CAD models

| | |
|-------------------------------|-------------------------|
| Bore Diameter | 100 mm |
| Width | 108 mm |
| d | 100 mm |
| A | 120 mm |
| B | 108 mm |
| H | 140 mm |
| H1 | 46 mm |
| H2 | 273 mm |
| J | 380 mm |
| L | 490 mm |
| L1 | 140 mm |
| N | 36 mm |
| N1 | 50 mm |
| S | 42 mm |
| Bolt (G) | M30 |
| Weight | 35,1 Kg |
| Basic dynamic load rating (C) | 173 kN |
| Basic static load rating (C0) | 141 kN |
| Category | Mounted Units & Inserts |
| Inventory | 0.0 |
| Manufacturer Name | FYH BEARING UNITS |
| Minimum Buy Quantity | N/A |
| Weight / Kilogram | 0 |
| Product Group | M06110 |