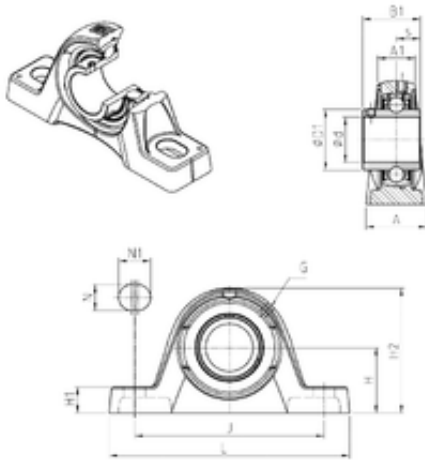




NTN Machinery Manufacturing Co., Ltd



SNR UCPLE211 bearing units

Bearing No. UCPLE211

| | |
|-------------------------------|----------|
| Bore Diameter | 55 mm |
| d | 55 mm |
| s | 22,2 mm |
| A | 60 mm |
| A1 | 39,5 mm |
| B1 | 55,6 mm |
| D1 | 69 mm |
| H | 61,3 mm |
| H1 | 23,2 mm |
| H2 | 128 mm |
| J | 170,5 mm |
| L | 219,5 mm |
| N | 18 mm |
| N1 | 26 mm |
| Thread (G) | M6x1 |
| Weight | 3,4 Kg |
| Basic dynamic load rating (C) | 43,55 kN |

UCPLE211 Bearing 2D drawings and 3D CAD models