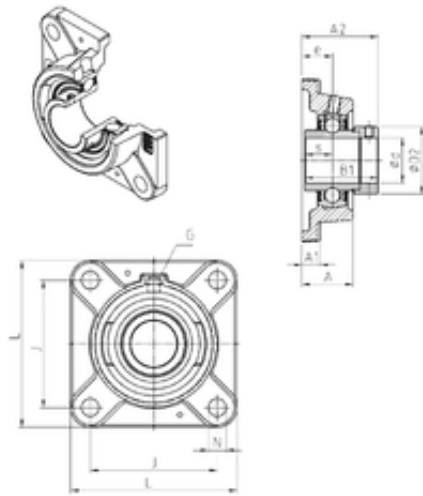




NTN Machinery Manufacturing Co., Ltd



SNR EXFE212 bearing units

Bearing No. EXFE212

Bore Diameter	60 mm
d	60 mm
e	34 mm
s	30,9 mm
A	53,5 mm
A1	16 mm
B1	77,7 mm
D2	84,2 mm
J	143 mm
L	175 mm
N	18 mm
Thread (G)	R1/8"
A2	80,8 mm
Weight	5,2 Kg
Basic dynamic load rating (C)	52,5 kN

EXFE212 Bearing 2D drawings and 3D CAD models