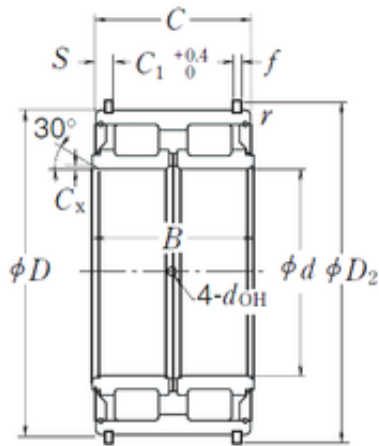




NTN Machinery Manufacturing Co., Ltd



180 mm x 280 mm x 136 mm NSK RS-5036NR cylindrical roller bearings

Bearing No. RS-5036NR

RS-5036NR Bearing 2D drawings and 3D CAD models

Size	180x280x136 mm
Bore Diameter	180 mm
Outer Diameter	280 mm
Width	136 mm
d	180 mm
D	280 mm
B	136 mm
C	135 mm
f	5 mm
r min.	1,1 mm
C1	110 mm
D2	294 mm
S	12,5 mm
C2	1,3 mm
Weight	30 Kg
Basic dynamic load rating (C)	980 kN
Basic static load rating (C0)	1910 kN
hidYobi	RS-5036NR
LangID	1
D_	280
B_	136
hidTable	ecat_NSCLDRSG
Cx	1.3
mass	30
GRS rpm	530



NTN Machinery Manufacturing Co., Ltd

da_min	187
C0	1910
DE_	258
Prod_Type3	CRB_FRFS_PT_WLR
dx_min	318
DA_	25
Z_	29
r_min	1.1
yobi	RS-5036NR
SDM_	233
r	135
KBRG	4220
DI_	208
doh	6