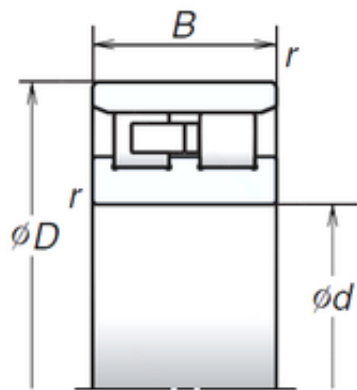




NTN Machinery Manufacturing Co., Ltd



*Cylindrical Bore

65 mm x 100 mm x 26 mm NSK NN3013TB
cylindrical roller bearings

Bearing No. NN3013TB

Size	65x91x26 mm
Bore Diameter	65 mm
Outer Diameter	91 mm
Width	26 mm
d	65 mm
D	100 mm
E	91 mm
B	26 mm
C	26 mm
r min.	1,1 mm
Weight	0,681 Kg
Basic dynamic load rating (C)	77 kN
Basic static load rating (C0)	116 kN
(Grease) Lubrication Speed	10 400 r/min

NN3013TB Bearing 2D drawings and 3D CAD models