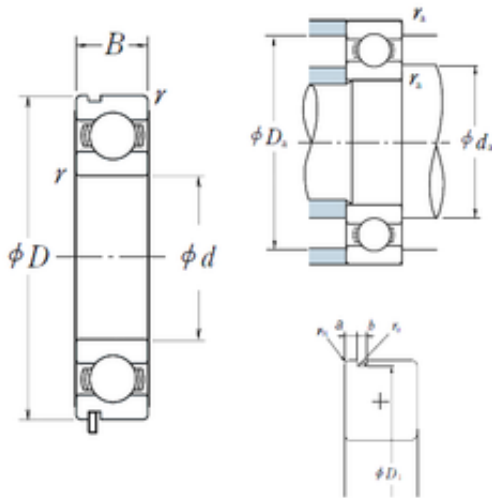




# NTN Machinery Manufacturing Co., Ltd

## 60 mm x 95 mm x 18 mm NSK 6012N deep groove ball bearings

Bearing No. 6012N



6012N Bearing 2D drawings and 3D CAD models

Size	60x95x18 mm
Bore Diameter	60 mm
Outer Diameter	95 mm
Width	18 mm
d	60 mm
D	95 mm
B	18 mm
C	18 mm
rn	0,5 mm
a	2,87 mm
b	2,7 mm
r min.	1,1 mm
r <sub>0</sub> max.	0,6 mm
D <sub>1</sub>	91,82 mm
da min.	66,5 mm
da max	69 mm
Da max.	88,5 mm
ra max.	1 mm
Weight	0,412 Kg
Basic dynamic load rating (C)	29,5 kN
Basic static load rating (C <sub>0</sub> )	23,2 kN
(Grease) Lubrication Speed	7 100 r/min
(Oil) Lubrication Speed	8 500 r/min
SRI	5.34
hidYobi	6012N



## NTN Machinery Manufacturing Co., Ltd

LangID	1
ro	0.6
D_	95
SREX	0.025
B_	18
da min	66.5
hidTable	ecat_NSRDGB
Oil rpm	8500
SRE	5.34
mass	0.412
GRS rpm	7100
ra	1
SRIX	0.025
D_a	88.5
SRIN	-0.025
C0	23.2
fo	15.6
SREN	-0.025
DE_	87.819
Prod_Type3	DGBB_SR_N_OT
DA_	10.319
bomp	0
Z_	14
yobi	6012N
C_conv	29500
ALPHA_	0
SDM_	77.5
r	1.1
KBRG	6101
SBRG	10
DI_	67.181