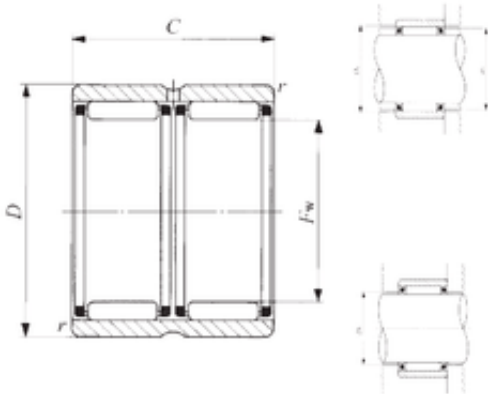




NTN Machinery Manufacturing Co., Ltd

IKO RNAFW 405540 needle roller bearings

Bearing No. RNAFW 405540



RNAFW 405540 Bearing 2D drawings and 3D CAD models

Size	40x55x40 mm
Bore Diameter	40 mm
Outer Diameter	55 mm
Width	40 mm
Fw	40 mm
D	55 mm
C	40 mm
r min.	0,3 mm
Da max.	53 mm
db	45,2 mm
Db	40,8 mm
Weight	0,28 Kg
Basic dynamic load rating (C)	53,9 kN
Basic static load rating (C0)	96 kN