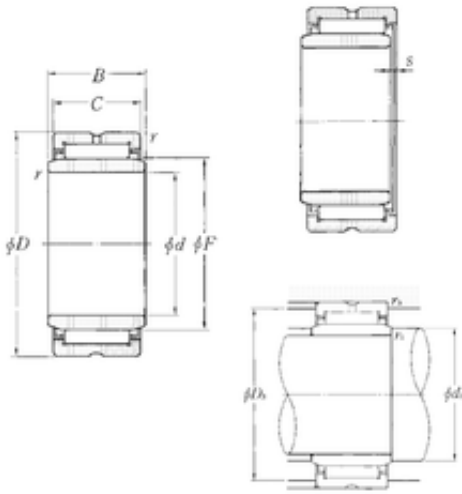




NTN Machinery Manufacturing Co., Ltd

57,15 mm x 88,9 mm x 25,65 mm NTN MR445616+MI-364416 needle roller bearings

Bearing No. MR445616+MI-364416



MR445616+MI-364416 Bearing 2D drawings and 3D CAD models

Size	57.15x88.9x25.65 mm
Bore Diameter	57,15 mm
Outer Diameter	88,9 mm
Width	25,65 mm
d	57,15 mm
F	69,85 mm
D	88,9 mm
B	25,65 mm
C	25,4 mm
r min.	2 mm
s	0,5 mm
da min.	65 mm
Da max.	81 mm
ra max.	2 mm
Weight	0,594 Kg
Basic dynamic load rating (C)	66 kN
Basic static load rating (C0)	112 kN
(Grease) Lubrication Speed	3 700 r/min