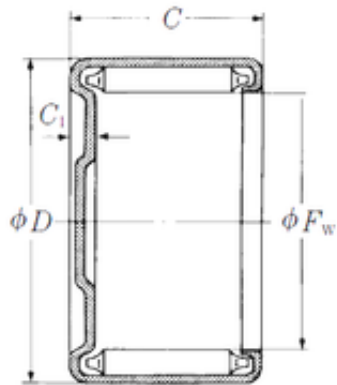




NTN Machinery Manufacturing Co., Ltd

NSK MH-16121 needle roller bearings



Bearing No. MH-16121

Dimensione	25.4x33.338x19.05 mm
Marchio	NSK
Diametro del foro	25,4 mm
Diametro esterno	33,338 mm
Larghezza	19,05 mm
Fw	25,4 mm
D	33,338 mm
C	19,05 mm
C2	2,8 mm
Peso	0,045 Kg
Carico dinamico di base (C)	25,9 kN

MH-16121 Bearing 2D drawings and 3D CAD models