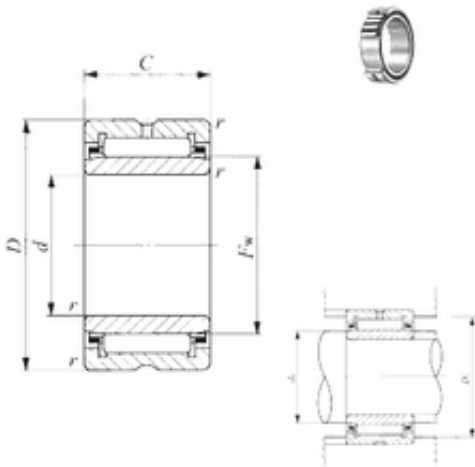




# NTN Machinery Manufacturing Co., Ltd

180 mm x 225 mm x 45 mm IKO NA 4836  
needle roller bearings



Bearing No. NA 4836

Size	180x225x45 mm
Bore Diameter	180 mm
Outer Diameter	225 mm
Width	45 mm
d	180 mm
Fw	195 mm
D	225 mm
B	45 mm
C	45 mm
r min.	1,1 mm
da min.	186,5 mm
da max	193 mm
Da max.	218,5 mm
S	1,5 mm
Weight	4,34 Kg
Basic dynamic load rating (C)	218 kN
Basic static load rating (C0)	602 kN

NA 4836 Bearing 2D drawings and 3D CAD models