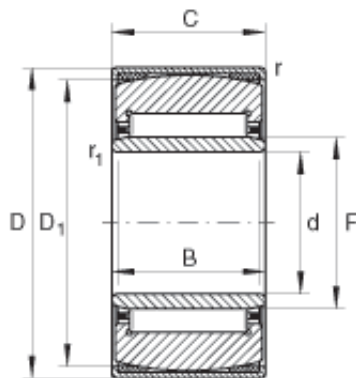




NTN Machinery Manufacturing Co., Ltd

17 mm x 35 mm x 16 mm INA PNA17/35 needle roller bearings



Bearing No. PNA17/35

PNA17/35 Bearing 2D drawings and 3D CAD models

Size	17x35x16 mm
Bore Diameter	17 mm
Outer Diameter	35 mm
Width	16 mm
d	17 mm
D	35 mm
C - 16 mm / Tolerance: +/-0,5	16 mm / Tolerance: +/0,5
B	16 mm
D ₁	30,5 mm
F	20 mm
r _{1 min}	0,3 mm
r _{min}	0,8 mm
s	0,5 mm / Axial displacement
m	73 g / Weight
C _r	14600 N / Dynamic load rating (radial)
C _{0r}	17500 N / Static load rating (radial)
C _{ur}	3200 N / Fatigue limit load, radial
n _G	21100 1/min / Limiting speed
Category	Needle Self Aligning Roller Bearings
Inventory	0.0



NTN Machinery Manufacturing Co., Ltd

Manufacturer Name	SCHAEFFLER GROUP
Minimum Buy Quantity	N/A
Weight / Kilogram	0.07
EAN	4012802064810
Product Group	B04144
Rolling Element	Needle Roller Bearing
Component	Complete with Outer and Inner Ring
Enclosure	Open
Self Aligning	Yes
Retainer	Yes
Number of Rows of Rollers	Single Row
Separable	Inner Ring - Both Sides
Inch - Metric	Metric
Relubricatable	No
Thrust Bearing	No
Long Description	17MM Bore; 35MM Outside Diameter; 16MM Width; Needle Roller Bearing; Complete with Outer and Inner Ring; Open Enclosure; Self Aligning; Retainer; Single Row of Rollers; Inner Ring - Both Sides Separab
Other Features	Plain Inner Ring 2 Rib Outer Ring Steel Cage Self Contained Aligning Adaptor
Category	Needle Self Aligning Roller Bearing
UNSPSC	31171512
Harmonized Tariff Code	8482.40.00.00
Noun	Bearing
Keyword String	Needle
Manufacturer URL	http://www.ina.com



NTN Machinery Manufacturing Co., Ltd

Manufacturer Item Number	PNA17/35
Weight / LBS	0.161
Width	0.63 Inch 16 Millimeter
Bore	0.669 Inch 17 Millimeter
Outside Diameter	1.378 Inch 35 Millimeter