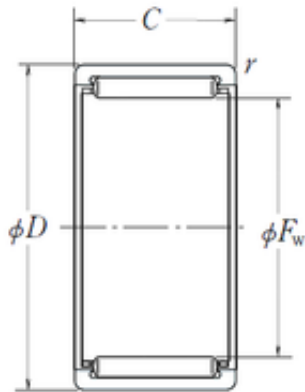




NTN Machinery Manufacturing Co., Ltd

NSK RLM152215 needle roller bearings



Bearing No. RLM152215

Size	15x22x15 mm
Bore Diameter	15 mm
Outer Diameter	22 mm
Width	15 mm
Fw	15 mm
D	22 mm
C	15 mm
r min.	0,3 mm
Weight	0,016 Kg
Basic dynamic load rating (C)	9,9 kN
Basic static load rating (C0)	11,1 kN
(Grease) Lubrication Speed	14000 r/min
hidYobi	RLM152215
LangID	1
D_	22
B_	15
hidTable	ecat_NSMRNR
GRS rpm	14000
ra	0.3
C0	11.1
C1_	15
DE_	20
SLR	10.8
Prod_Type3	NRB_S_RLM
d	15
DA_	2.5

RLM152215 Bearing 2D drawings and 3D CAD models



NTN Machinery Manufacturing Co., Ltd

Z_	12
SI	0
yobi	RLM152215
da_max	20
OIL rpm	24000
SDM_	17.5
r	0.3
KBRG	8312
mass1	0.016