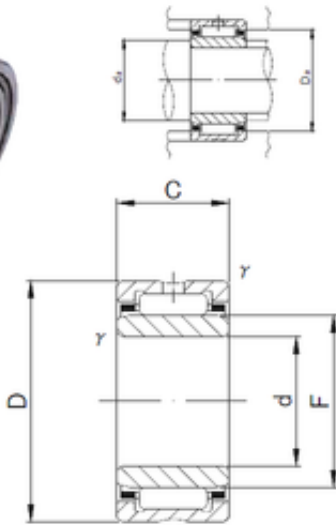




# NTN Machinery Manufacturing Co., Ltd



75 mm x 105 mm x 40 mm JNS NA 5915 needle roller bearings

Bearing No. NA 5915

Size	75x105x40 mm
Bore Diameter	75 mm
Outer Diameter	105 mm
Width	40 mm
d	75 mm
F	85 mm
D	105 mm
B	40 mm
C	40 mm
r min.	1 mm
da min.	80 mm
da max	83 mm
Da max.	100 mm
Weight	1,13 Kg
Basic dynamic load rating (C)	116 kN
Basic static load rating (C0)	249 kN

NA 5915 Bearing 2D drawings and 3D CAD models