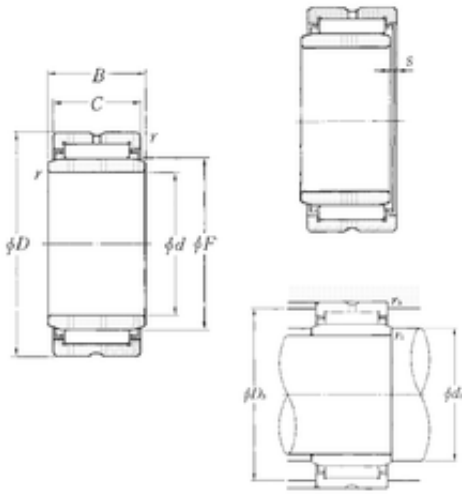




# NTN Machinery Manufacturing Co., Ltd

## 30,162 mm x 52,388 mm x 32 mm NTN MR243320+MI-192420 needle roller bearings

Bearing No. MR243320+MI-192420



MR243320+MI-192420 Bearing 2D drawings and 3D CAD models

Size	30.162x52.388x32 mm
Bore Diameter	30,162 mm
Outer Diameter	52,388 mm
Width	32 mm
d	30,162 mm
F	38,1 mm
D	52,388 mm
B	32 mm
C	31,75 mm
r min.	1 mm
s	2 mm
da min.	35 mm
Da max.	46 mm
ra max.	1,5 mm
Weight	0,286 Kg
Basic dynamic load rating (C)	51 kN
Basic static load rating (C0)	81,5 kN
(Grease) Lubrication Speed	7 500 r/min