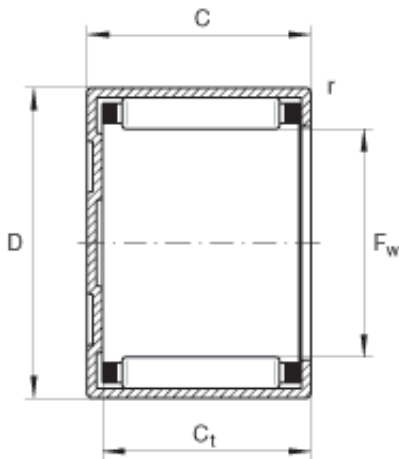




# NTN Machinery Manufacturing Co., Ltd



BK4020 Bearing 2D drawings and 3D CAD models

## INA BK4020 needle roller bearings

Bearing No. BK4020

Size	40x47x20 mm
Bore Diameter	40 mm
Outer Diameter	47 mm
Width	20 mm
$F_w$	40 mm
D	47 mm
C - 20 mm / Tolerance: -0,3	20 mm / Tolerance: 0,3
$C_{t\min}$	17,3 mm
$r_{\min}$	0,8 mm
m	62 g / Weight
$C_r$	25500 N / Dynamic load rating (radial)
$C_{0r}$	52000 N / Static load rating (radial)
$C_{ur}$	6800 N / Fatigue limit load, radial
$n_G$	6600 1/min / Limiting speed
$n_B$	4750 1/min / Reference speed
	LR35X40X20,5 / Suitable inner ring
	IR35X40X20,5 / Suitable inner ring
Category	Needle Non Thrust Roller Bearings
Inventory	0.0
Manufacturer Name	SCHAEFFLER GROUP
Minimum Buy Quantity	N/A



## NTN Machinery Manufacturing Co., Ltd

Weight / Kilogram	0.05
EAN	4047643176514
Product Group	B04144
Rolling Element	Needle Roller Bearing
Component	Roller Assembly with Outer Ring - No Inner Ring
Enclosure	Open
Self Aligning	No
Retainer	Yes
Number of Rows of Rollers	Single Row
Separable	No
Closed End	Yes
Inch - Metric	Metric
Relubricatable	No
Thrust Bearing	No
Long Description	40MM Bore; 47MM Outside Diameter; 20MM Width; Needle Roller Bearing; Roller Assembly with Outer Ring - No Inner Ring; Open Enclosure; No Self Aligning; Retainer; Single Row of Rollers; No Separable; C
Other Features	1 Rib Outer Ring   Drawn Cup Bearing   Steel Cage
Category	Needle Non Thrust Roller Bearing
UNSPSC	31171512
Harmonized Tariff Code	8482.40.00.00
Noun	Bearing
Keyword String	Needle
Manufacturer URL	<a href="http://www.ina.com">http://www.ina.com</a>
Manufacturer Item Number	BK4020
Weight / LBS	0.119
Outside Diameter	1.85 Inch   47 Millimeter



## NTN Machinery Manufacturing Co., Ltd

Width	0.787 Inch   20 Millimeter
Bore	1.575 Inch   40 Millimeter