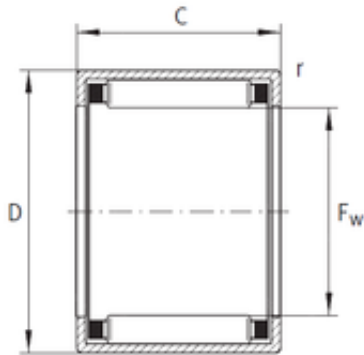




# NTN Machinery Manufacturing Co., Ltd

## INA HK5020 needle roller bearings



Bearing No. HK5020

Size	50x58x20 mm
Bore Diameter	50 mm
Outer Diameter	58 mm
Width	20 mm
Fw	50 mm
D	58 mm
C	20 mm
c1 min	—
r min.	0,8 mm
Weight	0,07 Kg
Basic dynamic load rating (C)	31 kN
Basic static load rating (C0)	63 kN
Fatigue load limit (Pu)	8,2
Reference speed	4 050 r/min
Category	Needle Non Thrust Roller Bearings
Inventory	9.0
Manufacturer Name	SCHAEFFLER GROUP
Minimum Buy Quantity	N/A
Weight / Kilogram	0.07
EAN	4012802043303
Product Group	B04144
Rolling Element	Needle Roller Bearing
Component	Roller Assembly with Outer Ring - No Inner Ring
Enclosure	Open

HK5020 Bearing 2D drawings and 3D CAD models



## NTN Machinery Manufacturing Co., Ltd

Self Aligning	No
Retainer	Yes
Number of Rows of Rollers	Single Row
Separable	No
Closed End	No
Inch - Metric	Metric
Relubricatable	No
Thrust Bearing	No
Long Description	50MM Bore; 58MM Outside Diameter; 20MM Width; Needle Roller Bearing; Roller Assembly with Outer Ring - No Inner Ring; Open; Not Self Aligning; Retainer; Single Row of Rollers; Not Separable; Not Close
Other Features	2 Rib Outer Ring   Drawn Cup Bearing   Steel Cage
Category	Needle Non Thrust Roller Bearing
UNSPSC	31171512
Harmonized Tariff Code	8482.99.65.30
Noun	Roller Assembly with Outer Ring
Keyword String	Bearing Needle
Manufacturer URL	<a href="http://www.ina.com">http://www.ina.com</a>
Manufacturer Item Number	HK5020
Weight / LBS	0.154
Bore	1.969 Inch   50 Millimeter
Width	0.787 Inch   20 Millimeter
Outside Diameter	2.283 Inch   58 Millimeter