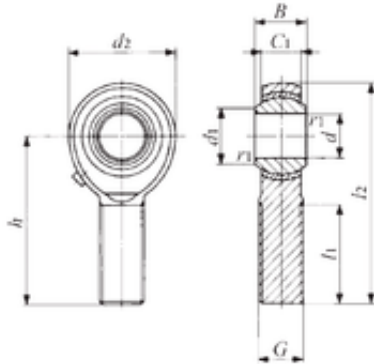




**IKO POS 20 plain bearings**



Bearing No. POS 20

Bore Diameter	20 mm
d	20 mm
L2	101 mm
d1	24,4 mm
d2	46 mm
dk	34,925 / mm
h	78 mm
r1 min.	0,2 mm
B	25 mm
C1	18 mm
L1	47 mm
Thread (G)	M20 × 1,5
Weight	0,34 Kg
Basic dynamic load rating (C)	30,8 kN

POS 20 Bearing 2D drawings and 3D CAD models