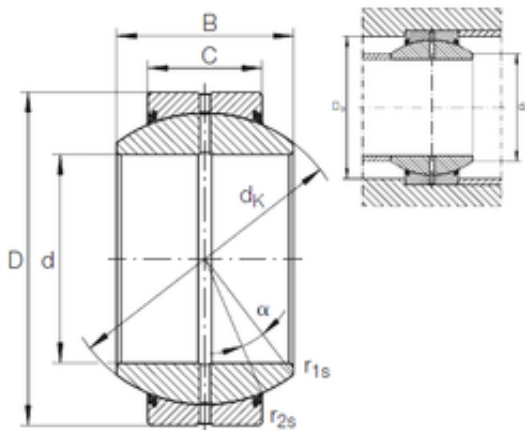




# NTN Machinery Manufacturing Co., Ltd

## 110 mm x 180 mm x 100 mm INA GE 110 FO-2RS plain bearings

Bearing No. GE 110 FO-2RS



GE 110 FO-2RS Bearing 2D drawings and 3D CAD models

Size	110x180x100 mm
Bore Diameter	110 mm
Outer Diameter	180 mm
Width	100 mm
d	110 mm
D	180 mm
B	100 mm
C	70 mm
dk	160 mm
r1 min.	1 mm
r2 min.	1 mm
da max	124,8 mm
Da min	150 mm
Angle	12 °
Weight	9,6 Kg
Basic dynamic load rating (C)	950 kN