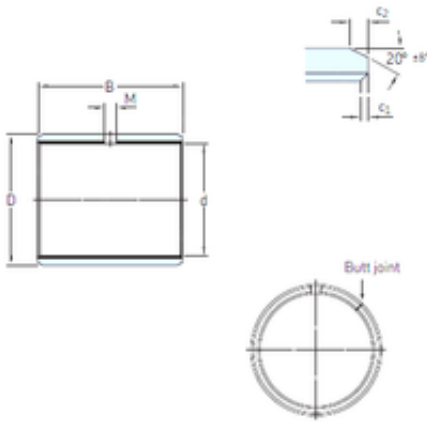




NTN Machinery Manufacturing Co., Ltd

210 mm x 215 mm x 100 mm SKF PCM 210215100 M plain bearings



Bearing No. PCM 210215100 M

Size	210x215x100 mm
Bore Diameter	210 mm
Outer Diameter	215 mm
Width	100 mm
d	210 mm
D	215 mm
B	100 mm
c1 min	0,2 mm
c2 min	1,2 mm
M	8 mm
Weight	1,15 Kg
Basic dynamic load rating (C)	2 500 kN
c ₁ min.	0.2 mm
c ₁ max.	1 mm
c ₂ min.	1.2 mm
c ₂ max.	2.4 mm
± 8	20 °
Tolerance shaft	h8
Tolerance housing	H7
Basic dynamic load rating - radial direction C	2500 kN
Basic static load rating - radial direction C ₀	5200 kN
Specific dynamic load factor K	120 N/mm ²
Specific static load factor K ₀	250 N/mm ²

PCM 210215100 M Bearing 2D drawings and 3D CAD models



NTN Machinery Manufacturing Co., Ltd

Factor depending on material and bearing type K_M	1900
Permissible sliding velocity v min.	0 m/s
Permissible sliding velocity v max.	2.5 m/s
Coefficient of friction μ min.	0.02
Coefficient of friction μ max.	0.2
Mass bushing	1.15 kg