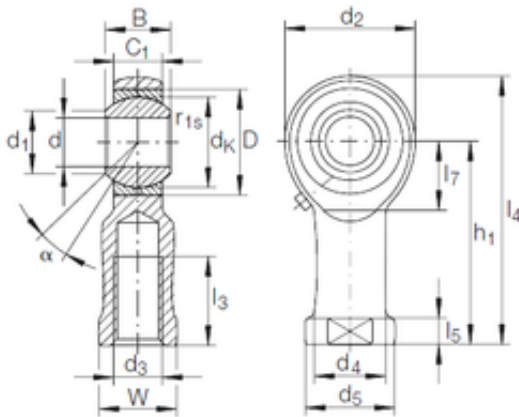




NTN Machinery Manufacturing Co., Ltd

25 mm x 47 mm x 31 mm INA GIKFL 25 PB plain bearings

Bearing No. GIKFL 25 PB



GIKFL 25 PB Bearing 2D drawings and 3D CAD models

Size	25x47x31 mm
Bore Diameter	25 mm
Outer Diameter	47 mm
Width	31 mm
d	25 mm
D	47 mm
B	31 mm
d1	29,5 mm
d2	60 mm
d4	33,5 mm
dk	42,85 mm
h1	94 mm
l3 min.	42 mm
l4 max.	124 mm
l5	12 mm
l7 min.	32 mm
r1 min.	0,3 mm
C1	22 mm
W	36 mm
Thread (G)	M24X2
Angle	15 °
d5	42 r/min
Weight	0,73 Kg
Basic dynamic load rating (C)	77,5 kN