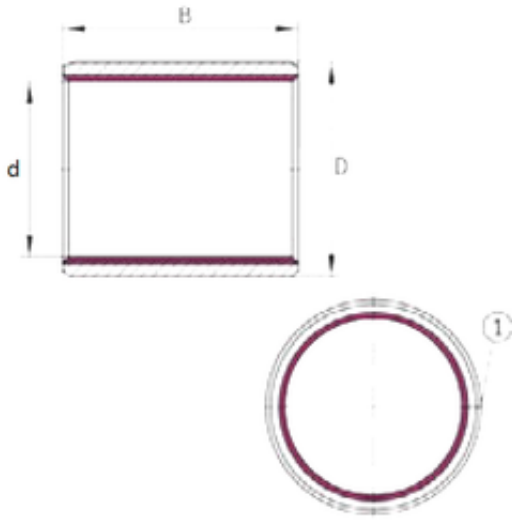




NTN Machinery Manufacturing Co., Ltd



19.05 mm x 22,225 mm x 19,05 mm INA
EGBZ1212-E40 plain bearings

Bearing No. EGBZ1212-E40

Size	19.05x22.225x19.05 mm
Bore Diameter	19.05 mm
Outer Diameter	22,225 mm
Width	19,05 mm
d	19.05 mm
D	22,225 mm
B	19,05 mm
Category	Plain Bearings
Inventory	0.0
Manufacturer Name	SCHAEFFLER GROUP
Minimum Buy Quantity	N/A
UNSPSC	31171515
Weight / Kilogram	0
EAN	4047643211536
Product Group	B04264

EGBZ1212-E40 Bearing 2D drawings and 3D CAD models