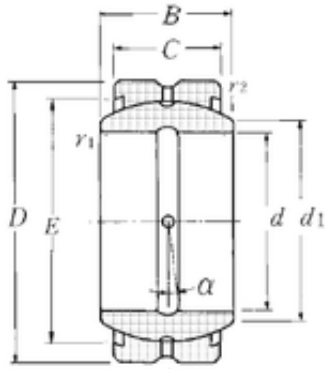




NTN Machinery Manufacturing Co., Ltd

40 mm x 62 mm x 28 mm NTN SA1-40B plain bearings



Bearing No. SA1-40B

Size	40x62x28 mm
Bore Diameter	40 mm
Outer Diameter	62 mm
Width	28 mm
d	40 mm
D	62 mm
B	28 mm
C	22 mm
d1	45 mm
r1 min.	0,6 mm
r2 min.	1 mm
E	53,5 mm
Angle	7 °
Weight	0,315 Kg
Category	Plain Bearings
Inventory	0.0
Manufacturer Name	NTN
Minimum Buy Quantity	N/A
Weight / Kilogram	0.298
EAN	4547359180282
Product Group	B04264

SA1-40B Bearing 2D drawings and 3D CAD models