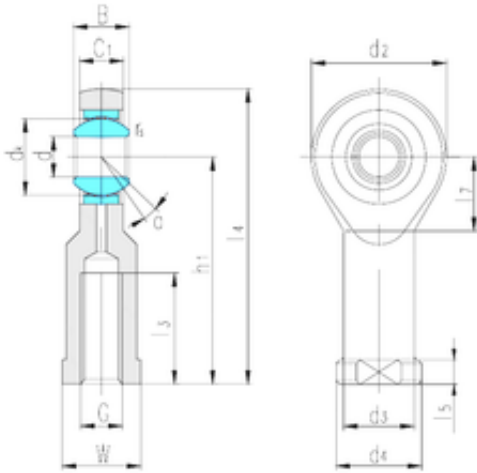




NTN Machinery Manufacturing Co., Ltd

LS SI15C plain bearings

Bearing No. SI15C



SI15C Bearing 2D drawings and 3D CAD models

Bore Diameter	15 mm
d	15 mm
B	12 mm
d2	40 mm
d3	21 mm
d4	26 mm
dk	22 mm
h1	61 mm
l3 min.	30 mm
l4 max.	81 mm
l5	8 mm
l7 min.	21 mm
r min.	0,3 mm
C1 max	10,5 mm
G	M14 mm
W	21 mm
Angle	8 °
Weight	0,16 Kg
Basic dynamic load rating (C)	18 kN