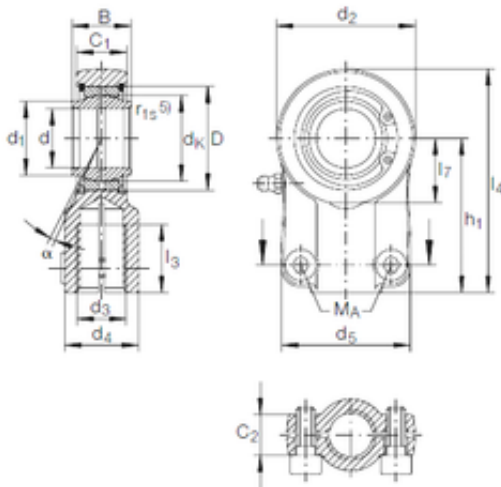




NTN Machinery Manufacturing Co., Ltd



32 mm x 52 mm x 32 mm INA GIHN-K 32 LO plain bearings

Bearing No. GIHN-K 32 LO

GIHN-K 32 LO Bearing 2D drawings and 3D CAD models

Size	32x52x32 mm
Bore Diameter	32 mm
Outer Diameter	52 mm
Width	32 mm
d	32 mm
D	52 mm
B	32 mm
Screw	M10X25
d1	38 mm
d2	70 mm
d4	38 mm
dk	44 mm
h1	80 mm
l3 min.	37 mm
l4 max.	115 mm
l7 min.	32 mm
C1	27 mm
Thread (G)	M27X2
Angle	4 °
d5	66 r/min
C2	22 mm
Weight	1,2 Kg
Basic dynamic load rating (C)	67 kN