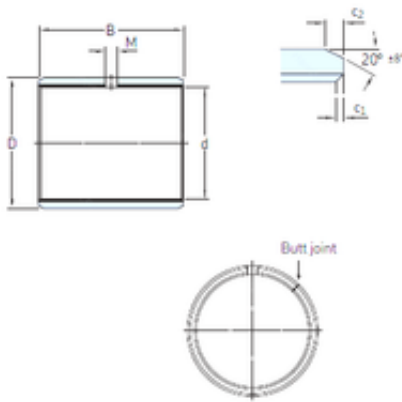




NTN Machinery Manufacturing Co., Ltd

152,4 mm x 157,163 mm x 95,25 mm SKF PCZ 9660 E plain bearings



Bearing No. PCZ 9660 E

Size	152.4x157.163x95.25 mm
Bore Diameter	152,4 mm
Outer Diameter	157,163 mm
Width	95,25 mm
d	152,4 mm
D	157,163 mm
B	95,25 mm
c1 min	0,2 mm
c2 min	1,2 mm
M	– mm
Weight	0,84 Kg
Basic dynamic load rating (C)	1 146 kN
c ₁ min.	0.2 mm
c ₁ max.	1 mm
c ₂ min.	1.2 mm
c ₂ max.	2.4 mm
± 8	20 °
Shaft diameter range min.	152.337 mm
Shaft diameter range max.	152.4 mm
Housing bore range min.	157.119 mm
Housing bore range max.	157.16 mm
Basic dynamic load rating - radial direction C	1146 kN
Basic static load rating - radial direction C ₀	3600 kN

PCZ 9660 E Bearing 2D drawings and 3D CAD models



NTN Machinery Manufacturing Co., Ltd

Specific dynamic load factor K	80 N/mm ²
Specific static load factor K ₀	250 N/mm ²
Factor depending on material and bearing type K _M	480
Permissible sliding velocity v min.	0 m/s
Permissible sliding velocity v max.	2 m/s
Coefficient of friction μ min.	0.03
Coefficient of friction μ max.	0.25
Mass bushing	0.84 kg