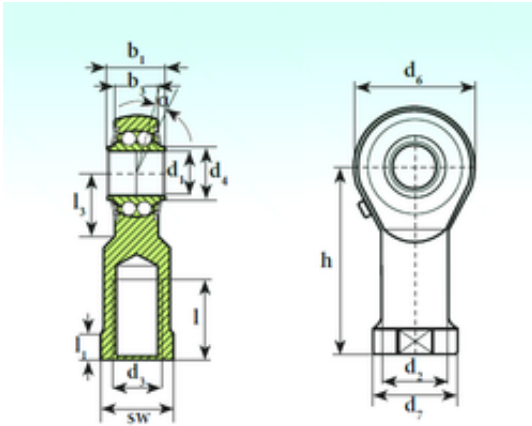




NTN Machinery Manufacturing Co., Ltd



TSF 12 BB Bearing 2D drawings and 3D CAD models

ISB TSF 12 BB self aligning ball bearings

Bearing No. TSF 12 BB

Bore Diameter	12 mm
d1	12 mm
d7	22 mm
l	22 mm
b1	16 mm
d2	17,5 mm
d4	14,5 mm
d6	32 mm
h	50 mm
l1 min.	6,5 mm
l3 min.	16 mm
SW	19 mm
B3	12 mm
Thread (G)	M12
Angle	7,5 °
Weight	0,107 Kg
Basic dynamic load rating (C)	5 kN
Basic static load rating (C0)	1,85 kN
Limiting speed	1150 r/min
Calculation factor (Y)	1,74