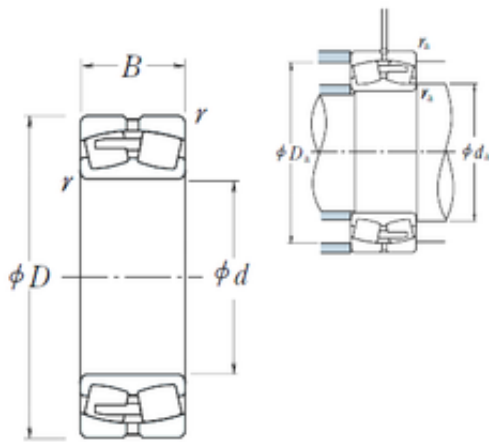




NTN Machinery Manufacturing Co., Ltd

220 mm x 460 mm x 145 mm NSK 22344CAE4 spherical roller bearings



Bearing No. 22344CAE4

22344CAE4 Bearing 2D drawings and 3D CAD models

Size	220x460x145 mm
Bore Diameter	220 mm
Outer Diameter	460 mm
Width	145 mm
d	220 mm
D	460 mm
B	145 mm
C	145 mm
r min.	5 mm
da min.	242 mm
Da min	391 mm
Da max.	438 mm
ra max.	4 mm
Weight	116 Kg
Basic dynamic load rating (C)	2350 kN
Basic static load rating (C0)	3400 kN
(Grease) Lubrication Speed	750 r/min
(Oil) Lubrication Speed	950 r/min
Calculation factor (e)	0,33
Calculation factor (Y0)	2
Calculation factor (Y2)	3