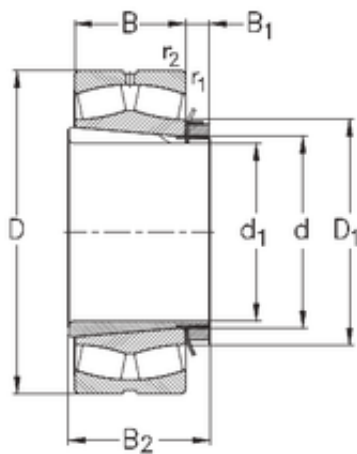




NTN Machinery Manufacturing Co., Ltd



75 mm x 130 mm x 31 mm NKE 22215-E-K-W33+H315 spherical roller bearings

Bearing No. 22215-E-K-W33+H315

22215-E-K-W33+H315 Bearing 2D drawings and 3D CAD models

Size	75x130x31 mm
Bore Diameter	75 mm
Outer Diameter	130 mm
Width	31 mm
d	75 mm
d1	65 mm
D	130 mm
B	31 mm
C	31 mm
r1 min.	1,5 mm
r2 min.	1,5 mm
B1	16 mm
B2	55 mm
D1	98 mm
Weight	2,39 Kg
Basic dynamic load rating (C)	196 kN
Basic static load rating (C0)	255 kN
Limiting speed	4800 r/min
Calculation factor (e)	0,22
Calculation factor (Y0)	2,9
Calculation factor (Y1)	3,1