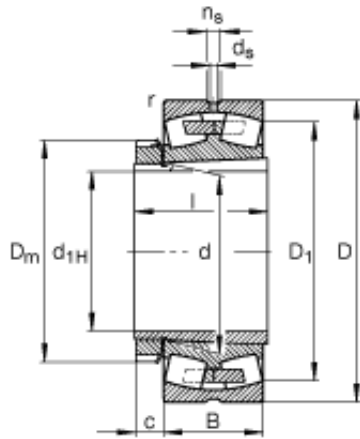




# NTN Machinery Manufacturing Co., Ltd

130 mm x 230 mm x 80 mm FAG 23226-E1A-K-M + H2326 spherical roller bearings



Bearing No. 23226-E1A-K-M + H2326

23226-E1A-K-M + H2326 Bearing 2D drawings and 3D CAD models

Size	115x230x80 mm
Bore Diameter	115 mm
Outer Diameter	230 mm
Width	80 mm
$d_{1H}$	115 mm
$D$	230 mm
$B$	80 mm
$B_{a\ min}$	21 mm
$c$	23 mm
$D_1$	199,3 mm
$D_{a\ max}$	216 mm
$D_m$	165 mm
$d$	130 mm
$d_{a\ max}$	152 mm
$d_{b\ min}$	142 mm
$d_s$	4,8 mm
$l$	121 mm
$n_s$	9,5 mm
$r_{a\ max}$	2,5 mm
$r_{min}$	3 mm
	H2326 / Adapter sleeve
$m$	13,6 kg / Weight
$m_1$	4,69 kg / Weight, adapter sleeve



## NTN Machinery Manufacturing Co., Ltd

$C_r$	910000 N
$e$	0,33
$Y_1$	2,07
$Y_2$	3,09
$C_{0r}$	1150000 N / Static load rating (radial)
$Y_0$	2,03
$n_G$	2850 1/min / Limiting speed
$n_B$	1770 1/min / Reference speed