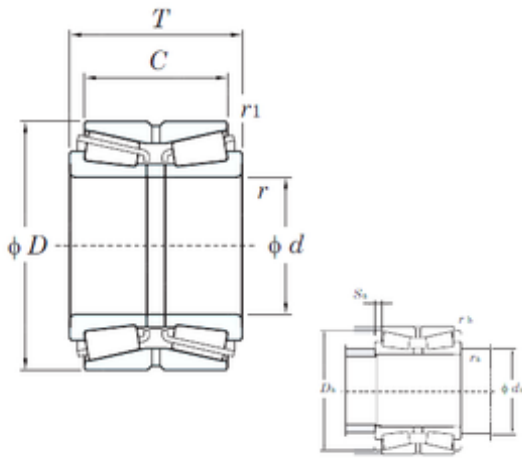




NTN Machinery Manufacturing Co., Ltd



KOYO 46344 tapered roller bearings

Bearing No. 46344

Size	220x370x120 mm
Bore Diameter	220 mm
Outer Diameter	370 mm
Width	120 mm
d	220 mm
D	370 mm
T	120 mm
C	107 mm
r min.	5 mm
r1 min.	1,5 mm
da min.	242 mm
Da min	346 mm
ra max.	4 mm
rb max.	1,5 mm
Weight	49,1 Kg
Basic dynamic load rating (C)	1070 kN
Basic static load rating (C0)	1810 kN
(Grease) Lubrication Speed	700 r/min
(Oil) Lubrication Speed	930 r/min
Calculation factor (e)	0,35
Calculation factor (Y0)	1,91
Bearing No.	46344
r(min)	5
r1(min)	1.5
Cr	1260
C0r	1810

46344 Bearing 2D drawings and 3D CAD models



NTN Machinery Manufacturing Co., Ltd

Cu	101
Grease lub.	700
Oil lub.	930
da(min)	242
Da(min)	361.5
Sa(min)	6.5
ra(max)	4
rb(max)	1.5
e	0.35
Y2	1.95
Y3	2.90
Y0	1.91
(Refer.)Mass(kg)	49.1