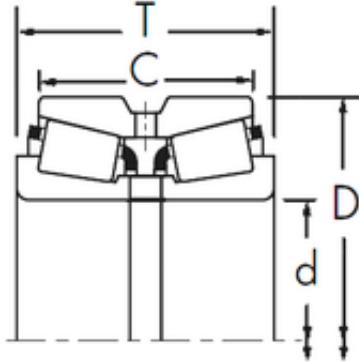




# NTN Machinery Manufacturing Co., Ltd

## Timken 26112/26284D tapered roller bearings



Bearing No. 26112/26284D

Size	28.575x71.975x42.761 mm
Bore Diameter	28,575 mm
Outer Diameter	71,975 mm
Width	42,761 mm
d	28,575 mm
D	71,975 mm
T	42,761 mm
C	36,512 mm
R	1,5 mm
r	0,8 mm

26112/26284D Bearing 2D drawings and 3D CAD models