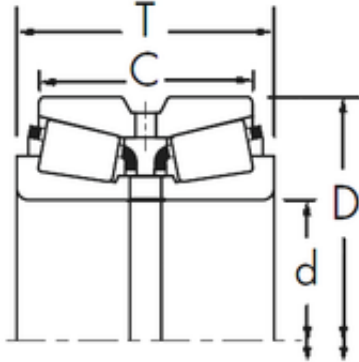




NTN Machinery Manufacturing Co., Ltd

Timken 87737/87112D+X1S-87737 tapered roller bearings

Bearing No. 87737/87112D+X1S-87737



87737/87112D+X1S-87737 Bearing 2D drawings and 3D CAD models

Size	187.325x282.575x107.95 mm
Bore Diameter	187,325 mm
Outer Diameter	282,575 mm
Width	107,95 mm
d	187,325 mm
D	282,575 mm
T	107,95 mm
C	79,375 mm
R	3,5 mm
r	1,5 mm