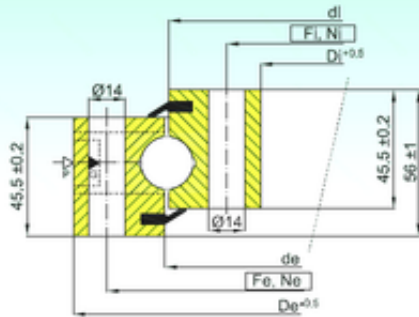




NTN Machinery Manufacturing Co., Ltd

ISB NB1.20.1094.200-1PPN thrust ball bearings

Bearing No. NB1.20.1094.200-1PPN



NB1.20.1094.200-1PPN Bearing 2D drawings and 3D CAD models

Size	1022x1166x56 mm
Bore Diameter	1022 mm
Outer Diameter	1166 mm
Width	56 mm
d	1022 mm
D	1166 mm
H	56 mm
de	1095,5 mm
di	1092,5 mm
Di	1022 mm
De	1166 mm
Fe	1140 mm
Ne	48 mm
Fi	1048 mm
Ni	48 mm