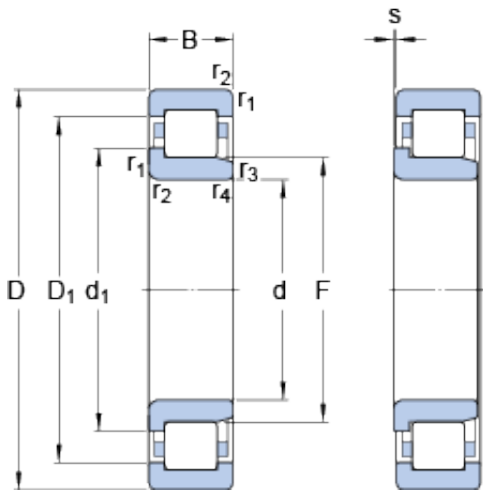




NTN Machinery Manufacturing Co., Ltd



60 mm x 110 mm x 22 mm SKF NJ 212 ECM thrust ball bearings

Bearing No. NJ 212 ECM

NJ 212 ECM Bearing 2D drawings and 3D CAD models

Size	110x60x22 mm
Bore Diameter	110 mm
Outer Diameter	60 mm
Width	22 mm
d	60 mm
D	110 mm
B	22 mm
d ₁	77.5 mm
D ₁	95 mm
F	72 mm
r _{1,2} - min.	1.5 mm
r _{3,4} - min.	1.5 mm
s	1.4 mm
d _a - min.	68 mm
d _a - max.	70 mm
d _b - min.	80 mm
D _a - max.	101 mm
r _a - max.	1.5 mm
Basic dynamic load rating - C	108 kN
Basic static load rating - C ₀	102 kN
Fatigue load limit - P _u	13.4 kN
Reference speed	6700 r/min
Limiting speed	7500 r/min
Calculation factor - k _r	0.15



NTN Machinery Manufacturing Co., Ltd

d_1	77.5 mm
D_1	95.1 mm
$r_{1,2}$ min.	1.5 mm
$r_{3,4}$ min.	1.5 mm
s max.	1.4 mm
d_a min.	68 mm
d_a max.	70 mm
d_b min.	80 mm
D_a max.	101 mm
r_a max.	1.5 mm
Basic dynamic load rating C	108 kN
Basic static load rating C_0	102 kN
Fatigue load limit P_u	13.4 kN
Calculation factor k_r	0.15
Limiting value e	0.2
Axial load factor Y	0.6
Mass bearing	0.95 kg