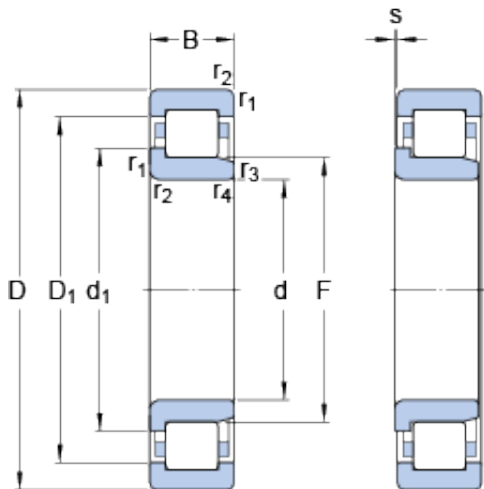




# NTN Machinery Manufacturing Co., Ltd



## 45 mm x 85 mm x 19 mm SKF NJ 209 ECML thrust ball bearings

Bearing No. NJ 209 ECML

NJ 209 ECML Bearing 2D drawings and 3D CAD models

Size	85x45x19 mm
Bore Diameter	85 mm
Outer Diameter	45 mm
Width	19 mm
d	45 mm
D	85 mm
B	19 mm
d <sub>1</sub>	59 mm
D <sub>1</sub>	72.95 mm
F	54.5 mm
r <sub>1,2</sub> - min.	1.1 mm
r <sub>3,4</sub> - min.	1.1 mm
s	1.2 mm
d <sub>a</sub> - min.	52 mm
d <sub>a</sub> - max.	53 mm
d <sub>b</sub> - min.	61 mm
D <sub>a</sub> - max.	77.6 mm
r <sub>a</sub> - max.	1 mm
Basic dynamic load rating - C	69.5 kN
Basic static load rating - C <sub>0</sub>	64 kN
Fatigue load limit - P <sub>u</sub>	8.2 kN
Reference speed	9000 r/min
Limiting speed	15000 r/min
Calculation factor - k <sub>r</sub>	0.23



## NTN Machinery Manufacturing Co., Ltd

$d_1$	59 mm
$D_1$	72.95 mm
$r_{1,2}$ min.	1.1 mm
$r_{3,4}$ min.	1.1 mm
s max.	1.2 mm
$d_a$ min.	52 mm
$d_a$ max.	53 mm
$d_b$ min.	61 mm
$D_a$ max.	77.6 mm
$r_a$ max.	1 mm
Basic dynamic load rating C	69.5 kN
Basic static load rating $C_0$	64 kN
Fatigue load limit $P_u$	8.15 kN
Calculation factor $k_r$	0.23
Limiting value e	0.2
Axial load factor Y	0.6
Mass bearing	0.49 kg