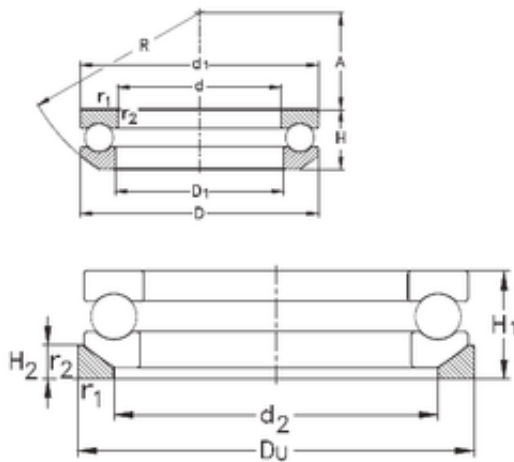




NTN Machinery Manufacturing Co., Ltd

NKE 53422-MP+U422 thrust ball bearings

Bearing No. 53422-MP+U422



53422-MP+U422 Bearing 2D drawings and 3D CAD models

Size	110x230x99.7 mm
Bore Diameter	110 mm
Outer Diameter	230 mm
Width	99,7 mm
d	110 mm
D	230 mm
H	99,7 mm
d1	225 mm
d2	170 mm
r1 min.	3 mm
r2 min.	3 mm
A	59 mm
D1	113 mm
H1	109 mm
H2	29 mm
R	180 mm
Weight	25,7 Kg
Basic dynamic load rating (C)	415 kN
Basic static load rating (C0)	1140 kN