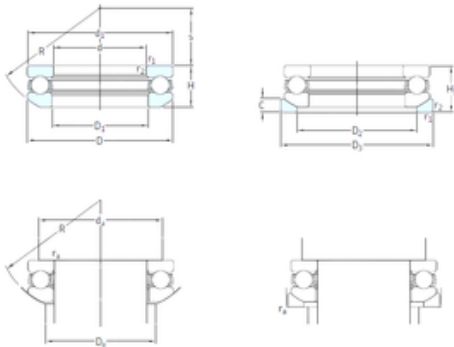




# NTN Machinery Manufacturing Co., Ltd



## SKF 53312+U312 thrust ball bearings

Bearing No. 53312+U312

53312+U312 Bearing 2D drawings and 3D CAD models

Size	60x110x38.3 mm
Bore Diameter	60 mm
Outer Diameter	110 mm
Width	38,3 mm
d	60 mm
D	110 mm
H	38,3 mm
d1	110 mm
r1 min.	1,1 mm
r2 min.	1,1 mm
s	41 mm
C	11,5 mm
D1	62 mm
D2	85 mm
D3	115 mm
H1	42 mm
R	90 mm
da min.	90 mm
Da max.	85 mm
rb max.	1 mm
Weight	1,7 Kg
Basic dynamic load rating (C)	101 kN
Basic static load rating (C0)	224 kN
Fatigue load limit (Pu)	8,3
Reference speed	2000 r/min
Limiting speed	3000 r/min



# NTN Machinery Manufacturing Co., Ltd